

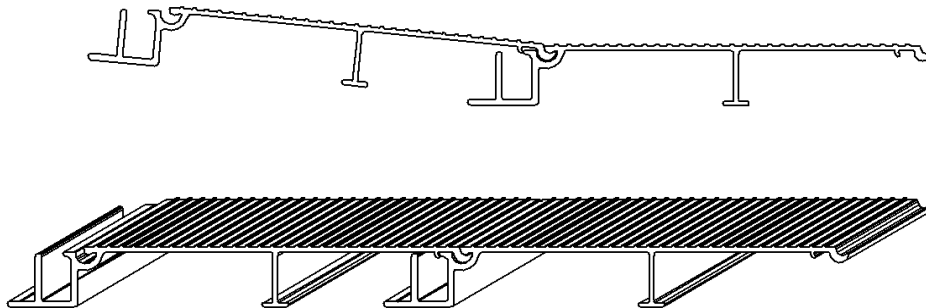


alumiLAST® Decking General Information

Endurable Building Products, the manufacturer of alumiLAST deck and balcony frames, introduces alumiLAST Decking, a patent-pending line of powder coated aluminum decking. alumiLAST decking features interlocking boards designed to be virtually watertight, and with the addition of a custom gasket, the boards are completely watertight. Custom engineered starter strips and edge trim pieces are also available.

alumiLAST Decking Features and Benefits:

- Non-slip textured powder coat finish.
- Light weight. Boards weigh approximately 1 pound per foot.
- Low maintenance. Boards will not crack or split.
- Non-combustible. Aluminum will not burn.
- Three standard colors: Wheat, Dark Gray, and Light Gray. (Custom colors also available).
- 50 year structural warranty, 5 year powder coat finish warranty.



Standard Size Boards:

Lengths of 12', 16' and 20' (Custom lengths also available)